

# Digital Display and Switching Module

(LED) 4-Digit, 2 Limit Switches, Min./Max. Storage

No separate power supply required!



Model  
**DAS**

Our digital display model DAS is a LED display with 2 integrated limit switches and min./max. storage. It is suitable for all pressure transmitters with 0-10 V/3-wire or 4-20 mA/2-wire analog output signals.

If mounted to our pressure transmitters, you receive a most successful combination of precise pressure transmitter, intelligent pressure switch, and digital display for direct reading of the operating pressure at the measuring point.

The DAS can comfortably be programmed via two front sided push buttons (plastic sealed keypad). The integrated software allows the adjustment of the indication span, the decimal digit, the indication rate (attenuation) and the switching values. Those parameters are stored in an E<sup>2</sup>PROM and kept even in case of a power blackout.

Both limit switches values can be programmed separately in a range from 0 to 100% of the nominal pressure.

Additional LEDs indicate the current status of the switching outputs. The integrated diagnostic system controls continuously all functions.



## Standard Configuration

### Case

Polyamide 6.6 black, 47 x 47 x 68 mm (1.85" x 1.85" x 2.68"), turnable approx. 290°

### Window Front Hood

Polycarbonate

### Display

LED, 4-digit, 7.62 mm (.3") high digits, resolution 12 bit, turnable

### Indication Range

-1999...+9999

### Accuracy

± 0,1% of full span ± 1 Digit

### Attenuation (Indication Rate)

Adjustable from 0.3 s to 30 s

### Holding Function

Min./max. storage

### Measuring Unit

Standard version with bar-marking on front, but every required measuring unit corresponding to the calibrated signal of the pressure transmitter that will be connected can be chosen; please state when ordering

### Fitting Position

Any, without reservation

### Power Supply

No separate power supply in addition to the 4-20 mA circuit of the connected pressure transmitter required. min. 16 V DC, max. 40 V DC, voltage loss ≤ 6 V

### Output Signal

4-20 mA, 2-wire

### Electrical Connection

Round plug connector M 12x1 (5 pole), IP 67, plastic, straight version

### Memory

E<sup>2</sup>PROM

### Temperature Limitations

Operating temperatures min./max. -25 / +85 °C (-13 / +185 °F)  
Storage temperatures min./max. -40 / +85 °C (-40 / +185 °F)

### Temperature Influence

0,1%/10 K

### Programming

Frontsided push buttons, plastic sealed keypad

### Limit Switch Output

2 independent working PNP outputs, max. load 125 mA, short circuit proofed

### Switching Delay

Adjustable from 0 to 100 s

Dimensions, weight and circuit diagram: see overleaf

## Special Versions e.g.:

- Round plug connector M 12x1 (5 pole) in right-angle version
- Other electrical connection for output signal 4...20 mA:
  - Screwed cable gland with 2 m connection cable (IP 67)
  - Plug connector DIN EN 175301-803 (IP 65, 2-wire connection, 1 PNP output possible only!)
- Input and output signal **0-10 V** (power supply 15-36 VDC), 3-wire
  - With round plug connector M 12x1 (straight version), or
  - Screwed cable gland (IP 67) and 2 m connection cable
- Marking with other units, e.g. %, psi, kg/cm<sup>2</sup> and others
- Attachable digital display with limit switch version **DASA**
  - Suitable also for attachment to already mounted transmitters
  - Male plug connector (top) and female socket (bottom)
  - Connecting adapter DIN EN 175301-803
  - IP 65
  - 1 PNP output
  - Weight approx. 0,10 kg (.22 lb)
  - Dimensional drawings: see overleaf

## How to Order:

Please order the pressure transmitter series PTM... as advised in our data sheets 9810 ff and add:

**with attached DAS** (or optionally **DASA**)  
with specification of any special options.

The DAS will then be preadjusted suitable to the mounted pressure transmitter.

Version DASA is also available separately.



**ARMATURENBAU GmbH**

Manometerstraße 5 • D-46487 Wesel - Ginderich  
Phone: (0 28 03) 91 30-0 • Fax: (0 28 03) 10 35  
armaturenbau.com • mail@armaturenbau.com



Subsidiary Company and Sales East Germany and Eastern Europe

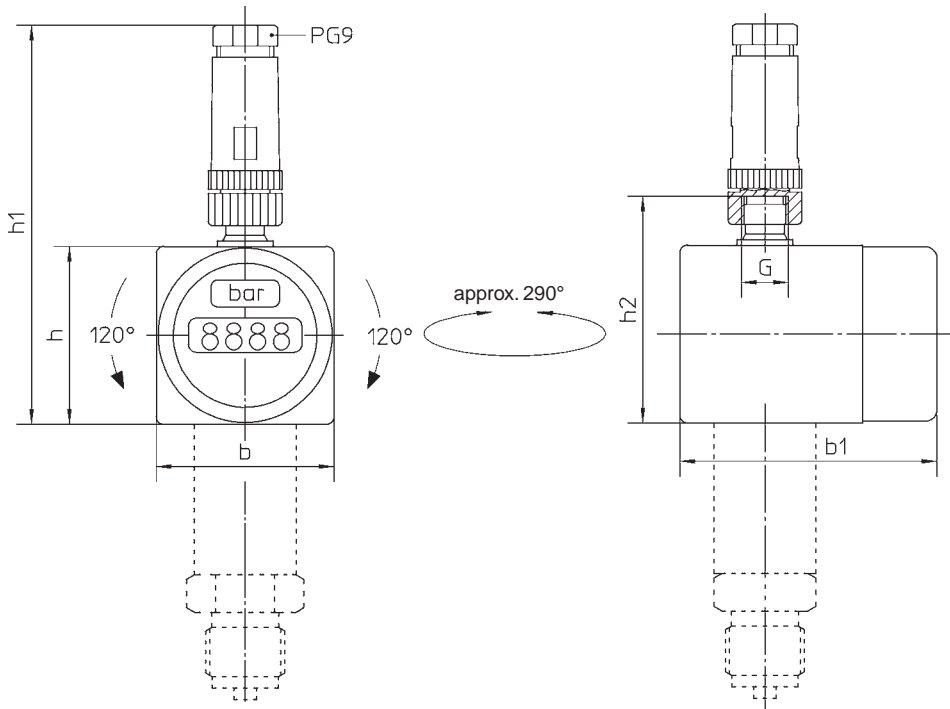
**MANOTHERM Beierfeld GmbH**

Am Gewerbepark 9 • D-08344 Grünhain-Beierfeld  
Phone: (0 37 74) 58-0 • Fax: (0 37 74) 58-545  
manotherm.com • mail@manotherm.com

**9912**

**7/06**

# Dimensions, Weight, Pin Assignment



Dimensions ( mm / inches ) and Weight ( kg / lb )

b	b1	G	h	h1	h2	Weight (approx.)
47	68	M12x1	47	105	60.5	0.14
1.85	2.68		1.85	4.13	2.38	.31

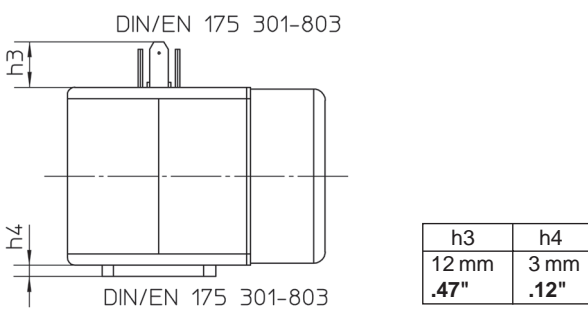
## Pin Assignment

2-wire system Pin assignment (standard version)	PIN
Supply +	1
Supply -	3
Switching point 1	4
Switching point 2	5
Ground	<b>via process connection</b>

3-wire system Pin assignment (see special versions 0-10 VDC)	PIN
Supply +	1
Supply -	3
Signal +	2
Switching point 1	4
Switching point 2	5
Ground	<b>via process connection</b>

## Option: Model DASA

Attachable digital display with limit switches



## Pin Assignment

2-wire system Pin assignment (Standard version)	Plug connector DIN EN175 301-803
Supply +	1
Supply -	2
Switching output	3
Ground	Ground terminal

- Available**
- mounted to a measuring instrument that is provided with plug connector DIN EN 17530-803, e.g. pressure transmitters series PTM... and CTM...
  - or separate for attachment to a mounted transmitter