

# Capsule Gauge for Low Pressure

Process Gauge Case According to US-Standard

Accuracy Class 1.6

Model

**KPPG 4 1/2"**

## Application

For measuring low pressure ranges between 25 mbar and 600 mbar of air or other gaseous media. Process gauge case acc. to US-standards especially for the requirements of the chemical and oil-processing industries.

## Case Size

4 1/2"

## Accuracy Class (EN 837-3)

1.6, i.e.  $\pm 1.6\%$  of full scale value

## Pressure Ranges (EN)

0 ... 25 mbar up to 0 ... 600 mbar, also all vacuum and compound ranges, compare table on reverse page

## Pressure Limitations

Normal service: full scale value  
Pulsation service: 90% of full scale value  
Temporary: 130% of full scale value

## Temperature Limitations

Ambient temperature: -20 up to +60 °C (-4 up to +140 °F)  
Medium temperature: max. +100 °C (+212 °F)

## Temperature Caused Error

The accuracy error caused by media or ambient temperatures differing from +20 °C (+68 °F) is significant. It can be estimated with .3% per each 10 °C (+18 °F).

## Protection Type

IP 65 (EN 60529 / IEC 529)

## Standard Configuration

### Process Connection

1/2" NPT bottom connection 316 stainless steel (1.4571)

### Diaphragm Capsule

316 stainless steel (1.4571)

### O-Ring (Wetted Part)

FPM (fluorocautchouc)

### Movement

Stainless steel

### Dial

Aluminum alloy, black figures, white background

### Zero Adjustment

Frontal (after taking off ring and glass lens)

### Pointer

Aluminum alloy

### Case and Ring

Thermoplastic PBTP, black (fire retardant and impact resistant acc. to UL 94 VO), case with integral rear flange

### Safety Features

Safety version S1, EN 837-3; case with full blow-out safety back. If pressure builds up inside of the case, the entire case back separates, allowing full relief. Safety back hinged for safety (will not become a projectile).

### Compensation Diaphragm

Elastomer

### Lens

Polycarbonate



## Optional Special Configurations

- Process connection 1/2" BSP, M 20 x 1,5, 1/4" NPT, 1/4" BSP or M 12x1,5 (other connection threads upon request)
- Inlet port restrictor screw stainless steel, orifice  $\varnothing 0,3$  mm
- Special scales
- Version for oxygene service, free of grease and oil
- Other than vertical installation, top or side connection
- Mounting kit for panel mounting upon request

## How to Order:

Please specify:

Model Code: **KPPG 4 1/2"**  
Ordering Code  
for Wetted Parts: **- 3 = stainless steel 1.4571**  
Pressure Range: According to EN 837-3,  
**e.g. 0/60 mbar or -15/+10 mbar**  
Process Connection: 1/2" NPT (standard)  
or others (see above)  
Special Configurations: (See above)

## Examples for Ordering Information:

- KPPG 4 1/2"-3, 0/60 mbar, 1/2" NPT
- KPPG 4 1/2"-3, -40/+60 mbar, 1/2" BSP, with restrictor screw



**ARMATURENBAU GmbH**

Manometerstraße 5 • D-46487 Wesel - Ginderich  
Phone: (0 28 03) 91 30 - 0 • Fax: (0 28 03) 10 35  
armaturenbau.com • mail@armaturenbau.com



Subsidiary Company and Sales East Germany and Eastern Europe

**MANOTHERM Beierfeld GmbH**

Am Gewerbepark 9 • D-08340 Beierfeld  
Phone: (0 37 74) 58 - 0 • Fax: (0 37 74) 58 - 545  
manotherm.com • mail@manotherm.com

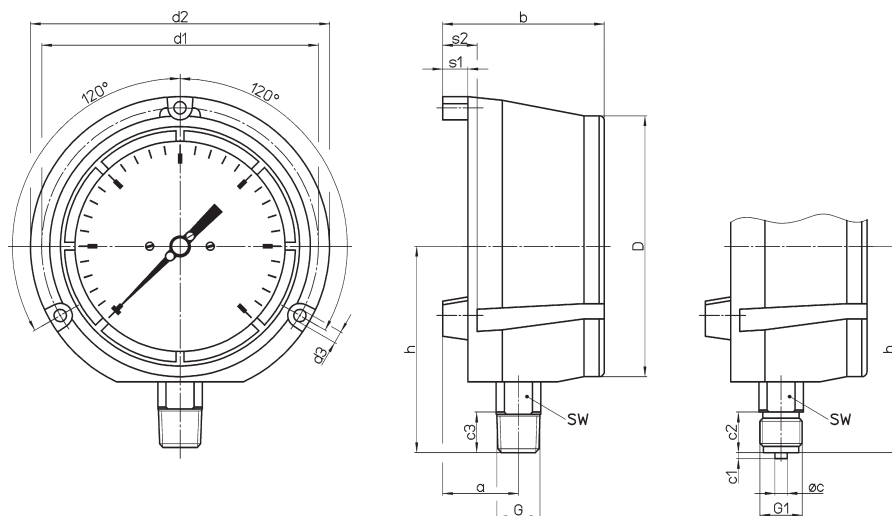
**I-6401**

7/03

## Case Configuration, Dimensional Data and Weights

### Bottom connection

(without additional code letter)



### Dimensional Data ( mm / inches ) and Weights ( kg / lb )

Nominal Case Size	a	b	c	c1	c2	c3	D	d1	d2	d3	G	G1	h	s1	s2	SW	Weight
4 1/2"	37,5 1.48	80 3.15	6 .24	3 .12	20 .79	19 .75	129 5.08	137 5.39	148 5.83	6,1 .24	1/2" NPT	1/2" BSP	102 4.02	12,5 .49	17 .67	22 .87	0,85 1.88

### Pressure Ranges

Vacuum	Compound	Pressure
in mbar		
- 25 / 0	- 10 / + 15 - 15 / + 10	0 / 25
- 40 / 0	- 15 / + 25 - 25 / + 15	0 / 40
- 60 / 0	- 20 / + 40 - 40 / + 20	0 / 60
- 100 / 0	- 40 / + 60 - 60 / + 40	0 / 100
- 160 / 0	- 60 / + 100 - 100 / + 60	0 / 160
- 250 / 0	- 100 / + 150 - 150 / + 100	0 / 250
- 400 / 0	- 150 / + 250 - 250 / + 150	0 / 400
- 600 / 0	- 200 / + 400 - 400 / + 200	0 / 600

others upon request

The information in this leaflet is given in good faith, but we reserve the right to make changes without notice.