

Capsule Gauge for Low Pressure

KPChE 63

Stainless Steel, Snap-in Window

Standard Versions

Information on general and metrological features (load limits / temperature limitations) and standard pressure ranges / scale divisions can be found in model overview 6000.

Accuracy (EN 837-3)

Class 1.6

Case

1.4301 (304 stainless steel), with snap-in window

Case Protection Type (EN 60 529 / IEC 529)

IP 32

Nominal Case Size

63 (mm) (2½")

Wetted Parts

Type –1: Connection:	brass
Diaphragm capsule:	CuBe-alloy
O-ring sealing:	NBR

Type –3: Connection:	1.4571 (316 stainless steel)
Diaphragm capsule:	1.4571 (316 stainless steel)
O-ring sealing:	FPM

Case Configuration

Connection:	screwed
Position of the connection:	bottom connection, optional: centre back connection (rm)
Mounting device:	without, optional back flange for surface mounting (Rh), see page 2

Pressure Ranges (EN 837-3)

0-25 mbar (0-10 "WC) to 0-600 mbar (0-250 "WC)

Process Connection

G ¼ B (¼" BSP)

Window

Case with snap-in polycarbonate

Movement

Brass / German silver	for type –1
Stainless steel	for type –3

Dial

Aluminium, black figures, white background

Pointer

Aluminium, black

Zero Adjustment

Frontsided, after removal of the window



Ordering Information, Standard Pressure Ranges, Options

see pages 3 and 4

Special Versions and further Options among others

- Other process connections upon request
- Other pressure ranges and / or special scales, e.g. double scale mbar/kPa, coloured fields or areas, dial inscriptions, negative scale etc.
- Case parts 1.4404 (316 L stainless steel) upon request
- Wetted parts free of grease and oil for type –3 upon request
- Oxygen version for type –3
- Position of the connection radial at 3 o'clock, 9 o'clock, 12 o'clock (others upon request) or position of connection other than vertical installation (90°)
- GOST-version for Russia, Ukraine, Kazakhstan

Accessory

see catalogue heading 11



Sales and Export South, West, North

ARMATURENBAU GmbH

Manometerstraße 5 • D-46487 Wesel - Ginderich
Tel.: +49 (0) 28 03/91 30-0 • Fax: +49 (0) 28 03/ 10 35
armaturenbau.com • mail@armaturenbau.com

Subsidiary Company, Sales and Export East

MANOTHERM Beierfeld GmbH 6211.1

Am Gewerbepark 9 • D-08344 Grünhain-Beierfeld
Tel.: +49 (0) 37 74/58-0 • Fax: +49 (0) 37 74/58-545
manotherm.com • mail@manotherm.com

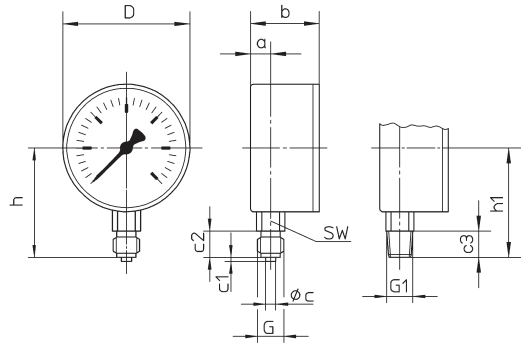
09/12

Case Configurations, Code Letters, Dimensional Data and Weights

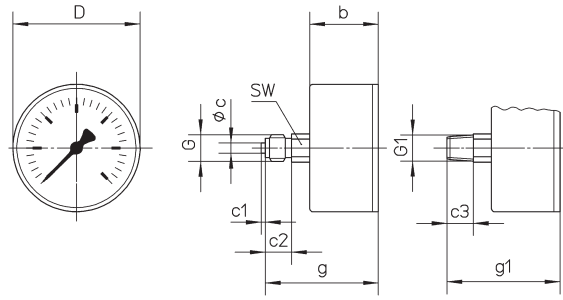
Bottom connection	Centre back connection
-------------------	------------------------

no mounting device	
--------------------	--

(no additional code letter)

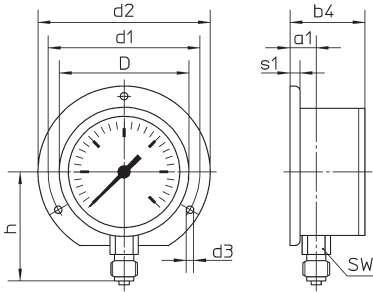


code letters: **rm**

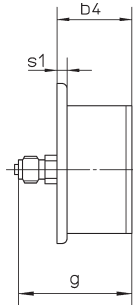


with back flange for surface mounting	
---------------------------------------	--

code letters: **Rh**



code letters: **rmRh**



(available upon request, but according to EN 837-3 not recommended)

Dimensional data (mm/ inches) and weights (kg/ lb)														
----------------------------------------------------	--	--	--	--	--	--	--	--	--	--	--	--	--	--

NCS	a	a1	b	b4	c	c1	c2	c3	D	d1	d2	d3	G	G1
63 2½"	10 .4	13 .51	34 1.34	37 1.46	5 .2	2 .08	13 .51	13 .51	62 2.44	75 2.95	85 3.35	3.6 .14	G ¼ B (¼" BSP) M 12x1.5	¼" NPT
10-times üs	10 .4	13 .51	43 1.7	46 1.81	5 .2	2 .08	13 .51	13 .51	62 2.44	75 2.95	85 3.35	3.6 .14	G ¼ B (¼" BSP) M 12x1.5	¼" NPT

NCS	g	g1	h±1	h1±1	s1	SW	approx. weight
63 2½"	57 2.24	57 2.24	54 2.13	54 2.13	5 .2	14 .55	0.18 0.40
10-times üs	66 2.6	66 2.6	54 2.13	54 2.13	5 .2	14 .55	0.21 0.46

Ordering Information with Standard Pressure Ranges, Options

Basic Model:		Capsule Gauge for Low Pressure, with Snap-in Window				KPChE	
Case Filling:	without					without code letters	
Nominal Case Size:	case-Ø 63 mm (2½")					63	
Wetted Material:	copper alloy					-1	
	stainless steel					-3	
Case Configuration:	case / connection	screwed				without code letters	
	position of the connection	bottom				without code letters	
		centre back				rm	
	mounting device	without				without code letters	
		back flange for surface mounting				Rh	
Pressure Ranges:	mbar			inchWC			
	Vacuum	Compound Ranges	Pressure	Vacuum	Compound Ranges	Pressure	
	-25 - 0	-10 - 15 -15 - 10	0 - 25	-10 - 0	-4 - 6 -6 - 4	0 - 10	
	-40 - 0	-15 - 25 -25 - 15	0 - 40	-16 - 0	-6 - 10 -10 - 6	0 - 16	
	-60 - 0	-20 - 40 -40 - 20	0 - 60	-25 - 0	-10 - 15 -15 - 10	0 - 25	
	-100 - 0	-40 - 60 -60 - 40	0 - 100	-40 - 0	-15 - 25 -25 - 15	0 - 40	
	-160 - 0	-60 - 100 -100 - 60	0 - 160	-60 - 0	-20 - 40 -40 - 20	0 - 60	e.g. 0-60 mbar
	-250 - 0	-100 - 150 -150 - 100	0 - 250	-100 - 0	-40 - 60 -60 - 40	0 - 100	
	-400 - 0	-150 - 250 -250 - 150	0 - 400	-160 - 0	-60 - 100 -100 - 60	0 - 160	
	-600 - 0	-200 - 400 -400 - 200	0 - 600	-250 - 0	-100 - 150 -150 - 100	0 - 250	
	Process Connection:	standard thread	G ¼ B (¼" BSP)				G ¼ B
options:		¼" NPT				¼" NPT	
		M12x1.5				M 12 x 1.5	
		G ⅜ B (⅜" BSP)				G ⅜ B	
		⅜" NPT				⅜" NPT	
		M10x1				M 10 x 1	
Options:	see page 4						
Example:						KPChE 63-1, 0-60 mbar, G ¼ B	

Further Options regarding Ordering Information

Basic Model: Capsule Gauge for Low Pressure, with Snap-in Window		KPChE
Model Code		see page 3
Options:	<p>red mark on the dial</p> <p>stationary on the dial,</p> <p>red pointer adjustable when removable ring</p> <p>special adjustment</p> <p>case polished</p> <p>silicone-free version</p> <p>restrictor screw in orifice \varnothing 0.3 mm (0.01")</p> <p>pressure inlet port</p> <p>material: as process connection, brass or stainless steel</p> <p>overrange protection (üs) and / or low pressure protection (us)¹⁾</p> <p>for types –1 (copper alloy)</p> <p>3-times üs or us</p> <p>10-times üs 0 - 25 mbar and above</p> <p>10-times us -100- 0 mbar and above</p> <p>combination 10-times üs and 10-times us</p> <p>only for gauge-vacuum-ranges for spans 100 mbar (40 "WC) and above</p> <p>for types –3 (stainless steel)</p> <p>3-times üs or us</p> <p>10-times üs 0- 25 mbar and above</p> <p>10-times us -100- 0 mbar and above</p> <p>combination 10-times üs and 3-times us</p> <p>only for gauge-vacuum-ranges for spans 40 mbar (16 "WC) and above</p> <p>measuring point marking with stainless steel-plate 12 mm x 55 mm (0.47" x 2.17"), wire mounting or sticker on the case coverage</p>	(order at the moment still as cleartext)

Special Versions: Please describe your requirements clearly

¹⁾ max. -1000 mbar

Changes, replacement of materials and printing errors excepted