

# Bourdon Tube Pressure Gauges

Bayonet ring case stainless steel, safety category S3 according to EN 837-1  
with direct limit switch contact assembly (model M)

RSCh 63



This data sheet contains information on the number of the maximum possible contacts, the electrical connections, the options and the ordering information of bourdon tube pressure gauges model RSCh 63 with limit switch contact assembly with 1 or 2 magnetic contacts, furthermore dimensional drawings with the position of the electrical connections.

**Data sheet 1610** contains all details of the available models RSCh without limit switch contact assembly. These information as well as the required ordering information are also valid for the version with limit switch contact assembly, as far as not described differently. A case filling is not available.

In **model overview 9.1000** definitions, applications and functions of the particular models of the limit switch contact assemblies are described generally and in detail. It also contains comprehensive information on the selection, switching functions and minimum spans, operating conditions, Ex-protection, options and others.



## Standard Version

### Available limit switch contact assemblies

**direct** (electromechanical)  
Magnetic contact **M**

**Number of the maximum possible contacts**  
up to 2 x M

**Case Protection Type** (EN 60 529 / IEC 529)  
IP 54

**Blow-out Device**  
Blow-out back; at pressurisation in the case the entire cross section is enabled to the back.

**Nominal Case Size**  
63 (mm) (2½")

**Window**  
Polycarbonate

**Adjusting Mechanism Limit Setting Pointer**  
All instruments have an adjustable lock in the window. The limit setting pointer is set to the value at which the switching operation should happen, externally by the removable key.

**Electrical Connection**  
lateral at the right side of the case,  
1m connection cable,  
screwed cable gland M12x1.5

## Options

- adjustable lock with non-removable key
- window laminated safety glass without adjustable lock, adjustment after removal of the bayonet ring  
- please regard the safety advice in operating instructions B5 in paragraph 6.5 "Adjusting the limit setting pointers"
- switching distance fixing for 2 contacts upon request
- more than 1 m connection cable upon request
- plug connector according to DIN EN 175 301-803 construction types A and C,  
lateral left at 9 o'clock (dimensional drawings upon request) (see also page 2)
- other position of the electrical connection upon request

## Ordering Information

When installing limit switch contact assemblies, the ordering code of the basic model (see data sheet 1610) is extended by

- code letters: **M** magnetic contact
- code number: **1** making contact  
for the switching **2** breaking contact  
function **3** single change-over contact  
(clockwise direction of **11** 1. and 2. making contact  
action, that means for **12** 1. making contact / 2. breaking contact  
pressure gauges at rising **21** 1. breaking contact / 2. making contact  
pressure) **22** 1. and 2. breaking contact

### Examples:

RSCh 63-3, 0-10 bar, G ¼ B, M 2

RSCh 63-3, rFr, 0-25 bar, ¼" NPT, M 21

## Details

For an optimal function of the instruments with limit switch contact assembly you have to add the following to the ordering information:

- switching pressure(s)
- switching range(s), in which the values are adjusted if it is beyond the adjustment ranges that are defined by us
- if an anticlockwise switching direction is requested



Sales and Export South, West, North

**ARMATURENBAU GmbH**

Manometerstraße 5 • D-46487 Wesel - Ginderich  
Tel.: +49 (0)28 03/91 30-0 • Fax: +49 (0)28 03/10 35  
armaturenbau.com • mail@armaturenbau.com

Subsidiary Company, Sales and Export East

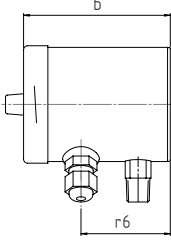
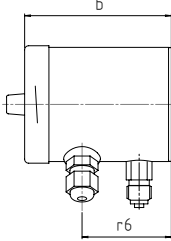
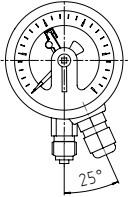
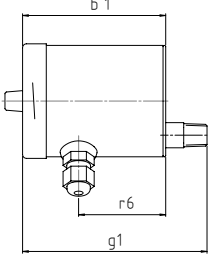
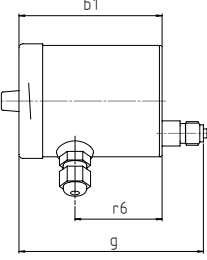
**MANOTHERM Beierfeld GmbH 1619.1**

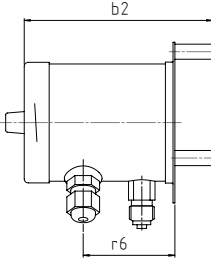
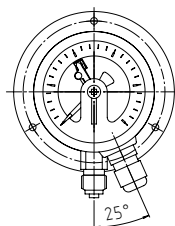
Am Gewerbepark 9 • D-08344 Grünhain-Beierfeld  
Tel.: +49 (0)37 74/58-0 • Fax: +49 (0)37 74/58-545  
manotherm.com • mail@manotherm.com

10/11

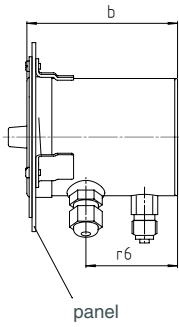
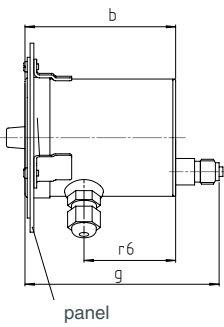
# Case Configurations, Code Letters, Dimensional Data and Weights, Options

Compared to the basic models there are deviations in the front-to-back sizes, see table.  
The remaining dimensions can be seen on data sheet 1610.

Bottom Connection		Lower Back Connection		
Without mounting device				
(no additional code letter)	code letter: r			
				



Back flange	
code letters: Rh	
	

Case configuration Rh is supplied with 3 loose mounting spacers.

Front flange	
code letters: Fr	code letters: rFr
	

Case configurations "Fr" and rFr" are supplied with loose front flange and 3 mounting brackets that are welded to the case.

Dimensional Data (mm / inches) and Weights (kg / lb)					
NCS	b / b1	b2	g <sup>±1</sup> / g1 <sup>±1</sup>	r6	approx. weight <sup>1)</sup> RSCh
63	80 / 3.15	100 / 3.94	102 / 4.02	45 / 1.77	0.30 / 0.66

Options	
Plug connector DIN EN 17 5301-803	
- IP 65, 3-pin and protective contact	
construction type A	construction type C
	

<sup>1)</sup> The information relates on the version with bottom connection and limit switch contact assembly with 2 contacts

Technical changes, replacement of materials and errors excepted.