

Bourdon Tube Pressure Gauges

Polyamide Screw Ring Case

RK 63

RKG 63

Standard Versions

Information on general and metrological features (load limits / temperature limitations) and standard pressure ranges / scale divisions can be found in model overview 1000.

Accuracy (EN 837-1)

Class 1.6

Class 2.5 for pressure ranges 0-600 and 0-1,000 bar
(0-10,000 and 0-15,000 psi)

Case

Screw ring, rugged plastic,
glass fiber reinforced polyamide 6B

Case Protection Type (EN 60 529 / IEC 529)

IP 54,

IP 65 for model RKG

Blow-out Device

Rubber blow-out disc at the top of the case coverage

Case Ventilation

Rubber blow-out disc at the top of the case coverage

Case Filling

for model RKG: glycerine

Nominal Case Size

63 (mm) (2½")

Wetted Parts

Type -3: Connection: 1.4571 (316 stainless steel)

Bourdon tube: 1.4571 (316 stainless steel),
argon arc welding,
≤ 60 bar (800 psi) c-form,
≥ 100 bar (1,500 psi) helical

Type -1: Connection: brass

Bourdon tube: bronze,
≤ 40 bar (600 psi) soft-soldered, c-form,
≥ 60 bar (800 psi) silver brazed, helical

Case Configuration

Connection: screwed

Position of the connection: bottom connection,
optional lower back connection (r)

Mounting device: without, optional back flange for
surface mounting (Rh) or u-clamp
for panel mounting (T), see page 2

Pressure Ranges (EN 837-1)

0-0.6 bar (0-10 psi) to 0-1,000 bar (0-15,000 psi) for type -3

0-0.6 bar (0-10 psi) to 0- 600 bar (0-10,000 psi) for type -1

Process Connection

G ¼ B (¼" BSP)

Window

Polycarbonate

Movement

Stainless steel for type -3

Brass/German silver for type -1

Dial

Aluminum, black figures, white background

Pointer

Aluminum, black



Ordering Information, Standard Pressure Ranges, Options:

see pages 3 and 4

Special Versions and further options among others

- Other process connections upon request
- Other pressure ranges and / or special scales, e.g. double scale bar/psi, coloured fields or areas, dial inscriptions, negative scale etc.
- Version as refrigeration gauge with temperature scale
- Increased case protection type, e. g. IP 65 without case filling, upon request
- Other case fillings upon request
- Model RKG for ambient temperatures down to -40 °C (-40 °F) upon request. Our recommendation for ambient temperatures below -20 °C (-4 °F); models RChg resp. RChgG
- Position of connection radial at 3 o'clock, 9 o'clock or 12 o'clock (others upon request), or other than vertical installation (90°) for dry version
- GOST-version for Russia, Ukraine, Kazakhstan
- Sour gas-resistant version according to NACE

Accessory:

Chemical seals: see catalogue-heading 7

Other accessory: see catalogue-heading 11



Sales and Export South, West, North

ARMATURENBAU GmbH

Manometerstraße 5 • D-46487 Wesel - Ginderich
Tel.: +49 (0)28 03/91 30-0 • Fax: +49 (0)28 03/10 35
armaturenbau.com • mail@armaturenbau.com

Subsidiary Company, Sales and Export East

MANOTHERM Beierfeld GmbH

Am Gewerbepark 9 • D-08344 Grünhain-Beierfeld
Tel.: +49 (0)37 74/58-0 • Fax: +49 (0)37 74/58-545
manotherm.com • mail@manotherm.com

1310

11/09

Case Configurations, Code Letters, Dimensional Data and Weights, Blow-out Device

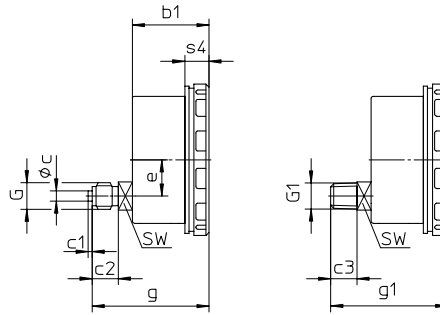
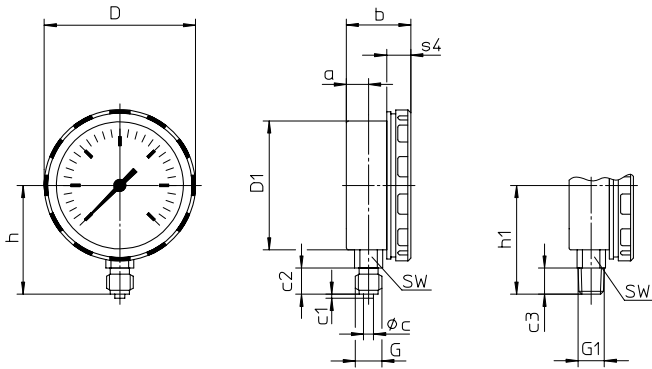
Bottom connection

Lower back connection

No mounting device

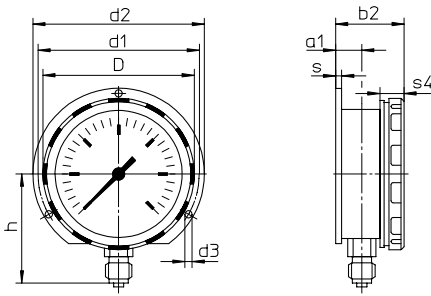
(no additional code letter)

code letter: r



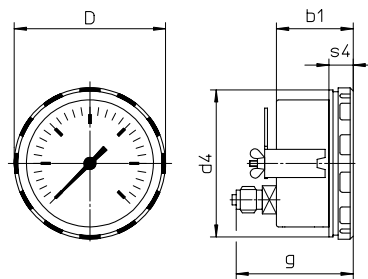
Back flange for surface mounting

code letters: Rh



U-clamp for switch panel mounting

code letters: rT



recommended panel cut out for $\varnothing 64.5 \pm 0.5$ (0.02")

Dimensional data (mm / inches) and weights (kg / lb)

NCS	a	a1	b	b1	b2	b3	c	c1	c2	c3	D	D1	D2	d1	d2	d3	d4	e	G	G1	g	g1	h ^{±1}	h1 ^{±1}
63 2½"	11 .43	13 .51	32 1.26	38 1.5	34 1.34	-	5 .2	2 .08	13 .51	13 .51	75 2.95	64 2.52	-	75 2.95	85 3.35	3.6 .14	73 2.87	18 .71	G ¼ B ¼" BSP M 12 x 1.5	¼" NPT	58 2.28	58 2.28	54 2.13	54 2.13

s	s1	s2	s3	s4	SW	SW1	approx. weight ¹⁾	
							RK	RKG
3 .12	-	-	-	12 .47	14 .55	-	0.14 .31	0.20 .44

¹⁾ Information for version without mounting device

