

Bourdon Tube Pressure Gauges

Bayonet Ring Case Stainless Steel,
DW-Line (Double Weld)

RCh 63-3vDW
RChG 63-3vDW

Standard Versions

Information on general and metrological features (load limits / temperature limitations) and standard pressure ranges / scale divisions can be found in model overview 1000.

Accuracy (EN 837-1)

Class 1.6

Case

Bayonet ring, 1.4301 (304 stainless steel)

Case Protection Type (EN 60 529 / IEC 529)

IP 54,

IP 65 for model RChG with closed blow-out plug

Blow-out Device

Blow-out plug at the top of the case coverage

Case Ventilation

By blow-out plug, ventilation required for internal pressure compensation for pressure ranges ≤ 10 bar and also recommended for other pressure ranges, as far as the operating conditions allow this.

Case Filling

for model RChG: glycerine

Nominal Case Size

63 (mm) (2½")

Wetted Parts

Connection: 1.4571 (316 stainless steel)
Bourdon Tube: 1.4571 (316 stainless steel),
argon arc welding,
 ≤ 100 bar (1,500 psi) c-form,
 ≥ 160 bar (2,000 psi) helical

Case Configuration

Connection: welded
Position of the connection: bottom connection,
optional centre back connection (rm)

Pressure Ranges (EN 837-1)

0-1 bar (0-15 psi) to 0-250 bar (0-3,000 psi)

Process Connection

Connection piece d8 x 5
for welding at the chemical seal

Window

Laminated safety glass

Movement

Stainless steel

Dial

Aluminum, black figures, white background

Pointer

Aluminum, black

Safety Category according to EN 837-1

S2 safety pressure gauge, proved



NEW DW-Line (Double Weld)

Pressure gauges RCh/RChG 63-3vDW (case / connection piece welded) welded with chemical seal MDM 7...v

Ordering Information, Standard Pressure Ranges, Options:

see pages 3 and 4

Special Versions and further Options among others

- Other pressure ranges and / or special scales, e.g. double scale bar/psi, coloured fields or areas, dial inscriptions, negative scale etc.
- Pressure ranges > 250 bar (3,000 psi) upon request
- Min.- or max.-drag indicator upon request
- Case parts 1.4404 (316 L stainless steel) upon request
- Increased case protection type, e. g. IP 65 without case filling, upon request
- Other case fillings upon request
- Model RChG
for ambient temperatures down to -40 °C (-40 °F) upon request
- Position of connection radial at 3 o'clock, 9 o'clock or 12 o'clock (others upon request) or other than vertical installation (90°):
- for models without case filling and for filled models with pressure equalizing membrane;
- for filled models without pressure equalizing membrane upon request
- GOST-version for Russia, Ukraine, Kazakhstan

Accessory:

Chemical seals, sealings,
process connection pieces: see catalogue-heading 7



Sales and Export South, West, North

ARMATURENBAU GmbH

Manometerstraße 5 • D-46487 Wesel - Ginderich
Tel.: +49(0)28 03/91 30-0 • Fax: +49(0)28 03 / 10 35
armaturenbau.com • mail@armaturenbau.com

Subsidiary Company, Sales and Export East

MANOTHERM Beierfeld GmbH

Am Gewerbepark 9 • D-08344 Grünhain-Beierfeld
Tel.: +49(0)37 74 / 58-0 • Fax: +49(0)37 74 / 58-545
manotherm.com • mail@manotherm.com

1211.7

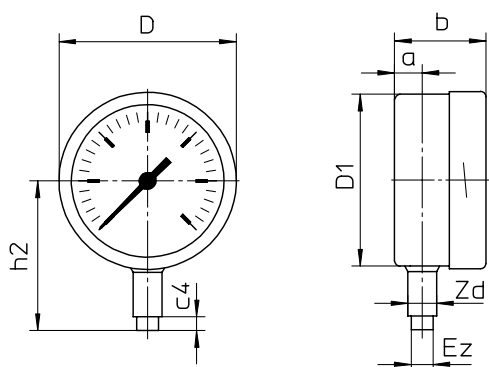
11/09

Case Configuration, Code Letters, Dimensional Data and Weights, Blow-out Device

Bottom connection

No mounting device

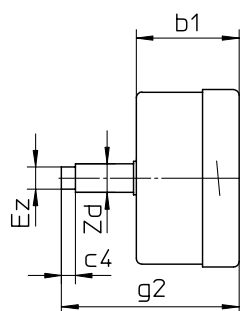
(no additional code letters)



Centre back connection

No mounting device

code letters: **rm**

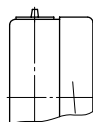


Dimensional data (mm / inches) and weights (kg / lb)

NCS	a	b	b1	c4	D	D1	Ez	g2	h2 ^{±1}	Zd ^{+0,5}	approx. Weight	
											RCh	RChG
63	10	33	37	5	64	62	8	64	54	10	0.18	0.25
2½"	.39	1.3	1.46	.2	2.52	2.44	.31	2.52	2.13	.39	.4	.56

Blow-out device

Blow-out plug 19



Blow-out plug 24

