

# Bourdon Tube Pressure Gauges

Accuracy Class 1.6

Nom. Size 100

Model **RE**

## Snap-in Window

### Applications

Our pressure gauges model RE 100-1 are reasonable Bourdon tube pressure gauges for various standard applications without special requirements to the case. The pressure medium (fluid or gaseous) may not corrode brass and bronze.

### Nominal Case Size (NCS)

100 (4")

### Accuracy Class (EN 837-1)

1.6 ( i.e. accuracy error max.  $\pm 1.6\%$  of full scale value)

### Pressure Ranges (EN 837-1)

0-0.6 bar to 0-600 bar

also vacuum and compound ranges

### Pressure Limitations

Steady pressure: 75% of full scale value

Cyclic pressure: max. 60% of full scale value

Overpressure: full scale value

### Temperature Limitations

Ambient temperature:  $-40 / +60$  °C ( $-40 / +140$  °F)

Medium temperature: max.  $+60$  °C ( $+140$  °F)



## Standard Configuration

### Connection

Bottom connection brass

### Connection thread

G 1/2 B (1/2" BSP) acc. to ISO 228-1

### Bourdon Tube

Bronze, up to 40 bar in C-form, soft soldered,  
60 bar and up helical, silver brazed

### Movement

Brass/German silver

### Dial

Aluminum alloy, black figures, white background

### Pointer

Aluminum alloy black

Stationary red pointer on the dial, adjustable after removal of the window

### Case

Carbon steel black

### Window

Snap-in polycarbonate lens

## Optional Special Configurations

- Connection thread M 20x 1.5
- Others upon request

**Further information** about advantages, applications, specifications, temperature limitations, and pressure ranges of our Bourdon tube pressure gauges with accuracy classes 1.0 and 1.6 can be found on our **general information leaflet 1000**.

## How to Order:

Simply state the ordering number as follows for pressure gauges available from stock (without obligation):

Pressure Range in bar	Ordering-number:
-1 - 0	L-641002
-1 / + 1,5	L-641004
-1 / + 9	L-641007
-1 / +15	L-641008
0 - 0,6	L-641009
0 - 1	L-641010
0 - 1,6	L-641011
0 - 2,5	L-641012
0 - 4	L-641013
0 - 6	L-641014
0 - 10	L-641015
0 - 16	L-641016
0 - 25	L-641017
0 - 40	L-641018
0 - 60	L-641019
0 - 100	L-641020
0 - 160	L-641021
0 - 400	L-641023
0 - 600	L-641024

For special versions or pressure ranges not available from stock please state when ordering:

Model and nom. size **RE 100**

Ordering number for wetted partes: **-1**

Pressure range: according to EN 837-1, e.g. 0-250 bar

Options: (compare left)

### Examples for Ordering Information:

- RE 100-1, -1/+3 bar, G 1/2 B
- RE 100-1, -1/+9 bar, M 20x1.5



**ARMATURENBAU GmbH**

Manometerstraße 5 • D-46487 Wesel - Ginderich  
Phone: (0 28 03) 9130-0 • Fax: (0 28 03) 10 35  
armaturenbau.com • mail@armaturenbau.com



Subsidiary Company and Sales East Germany and Eastern Europe

**MANOTHERM Beierfeld GmbH**

Am Gewerbepark 9 • D-08344 Grünhain-Beierfeld  
Phone: (0 37 74) 58-0 • Fax: (0 37 74) 58-545  
manotherm.com • mail@manotherm.com

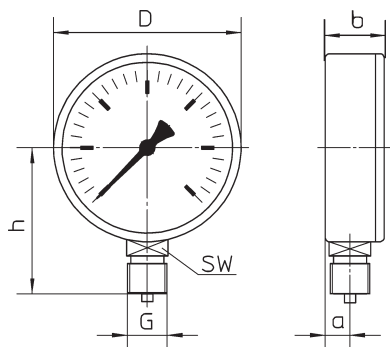
**1120**

**6/05**

## Case Configuration, Dimensional Data and Weight

### Bottom connection

(no code letter to add)



**Dimensions ( mm / inches ) and Weight ( kg / lb )**

NCS	a	b	D	G	h	SW	Weight (approx.)
100	11	31	99	G ½ B	78	22	0.37
4"	.43	1.22	3.90	½" BPS	3.07	.87	.82

The information in this leaflet is given in good faith, but we reserve the right to make changes without notice.