

Bourdon Tube Pressure Gauges

**Stainless Steel Case, Crimped-on Ring,
Glycerine Filled**

Accuracy Class 1.6

Nom. Size 63 (2½")

Model

RgG

Application

For fluid and gaseous media (non-corrosive to brass and bronze), which are not highly viscous and do not tend to polymerize

Nominal Case Size

63 (2½")

Accuracy Class (EN 837-1)

1.6 (i.e. accuracy error max. ± 1.6% of full scale value)

Pressure Ranges (EN 837-1)

0 ... 1 to 0 ... 600 bar¹⁾

also vacuum and compound ranges

Pressure Limitations

Steady pressure: 75% of full scale value

Cyclic pressure: 65% of full scale value

Temporary: full scale value

Temperature Limitations

Ambient temperature: -20 / +60 °C (-4 / +140 °F)

Medium temperature: max. +60 °C (+140 °F)

Further information about advantages, applications, specifications, temperature limitations and pressure ranges of Bourdon tube pressure gauges, accuracy classes 1.0 and 1.6 according to EN, can be found in our model overview **1000**

Standard Configuration

Process Connection

G ¼ B (¼" BSP) bottom connection brass

Bourdon Tube

- up to 40 bar = bronze, C-form, soft soldered
- 60 bar and up = bronze, helical, silver brazed

Movement

Brass / German silver

Dial

Aluminum alloy, black figures, white background

Pointer

Aluminum alloy black

Case and Ring

Stainless steel, ring crimped-on

Filling Liquid

Glycerine

Window

Polycarbonate

Optional Special Configurations

- Other process connections (G 1/8 B resp. 1/8 BSP, 1/8" NPT, 1/4" NPT), minimum order quantity 10 pieces
- Front flange for versions with center back connection
- U-clamp for versions with center back connection

¹⁾ Pressure ranges -1/0 and 0/4 to 0/600 bar are available from stock (without obligation). For all the other pressure ranges a **minimum order quantity of 10 pieces** and the actual delivery time has to be considered.



How to Order:

For ordering gauges from stock¹⁾ simply state the ordering number as follows:

Pressure ranges	Bottom connection	Center back connection
bar	Ordering number (stock):	
-1-0	L-631002	L-631102
-1/+3	L-631005	
0-4	L-631013	L-631113
0-6	L-631014	L-631114
0-10	L-631015	L-631115
0-16	L-631016	L-631116
0-25	L-631017	L-631117
0-40	L-631018	L-631118
0-60	L-631019	L-631119
0-100	L-631020	L-631120
0-160	L-631021	L-631121
0-250	L-631022	L-631122
0-400	L-631023	L-631123
0-600	L-631024	L-631124

Pressure gauges with center back connection (L-6311..) can be ordered optionally with front flange (**Fr**) or U-clamp (**BFr**).

Ordering Examples: 35 x L-631022
20 x L-631102, **Fr**

To avoid mistakes it will be helpful to give a short description of the instrument (model, nom. size, case configuration, pressure range), especially for special versions resp. instruments not available from stock:

Model, nom. size, ordering no. for wetted parts: **RgG 63-1**

Code letters for case configuration: **rm, rmFr, rmBFr**
(see reverse side) without code letter = bottom connection

Pressure range: according to EN 837-1, e.g. -1-0, 0-6 or 0-160 bar

Options: see left, e.g. 1/4" NPT connection (Minimum ordering quantity!)

Examples for Ordering Information:

- 50 x RgG 63-1, 0-2.5 bar¹⁾
- 50 x RgG 63-1 rmFr, 0-160 bar, 1/4" NPT¹⁾



ARMATURENBAU GmbH

Manometerstraße 5 • D-46487 Wesel - Ginderich
Phone: (0 28 03) 91 30-0 • Fax: (0 28 03) 10 35
armaturenbau.com • mail@armaturenbau.com



Subsidiary Company and Sales East Germany and Eastern Europe

MANOTHERM Beierfeld GmbH

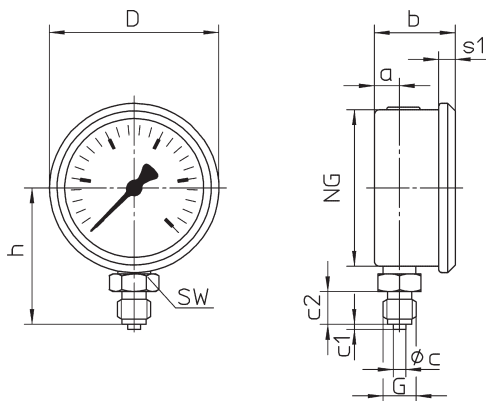
Am Gewerbepark 9 • D-08344 Grünhain-Beierfeld
Phone: (0 37 74) 58-0 • Fax: (0 37 74) 58-545
manotherm.com • mail@manotherm.com

1112

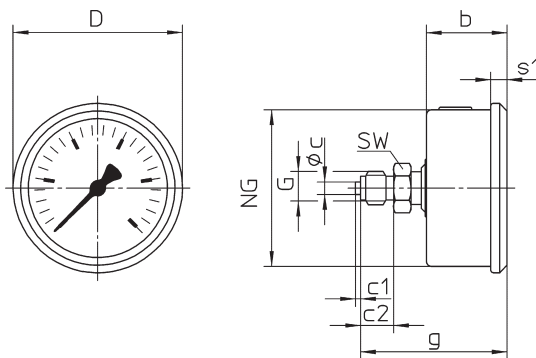
3/06

Case Configurations, Code Letters, Dimensional Data and Weight

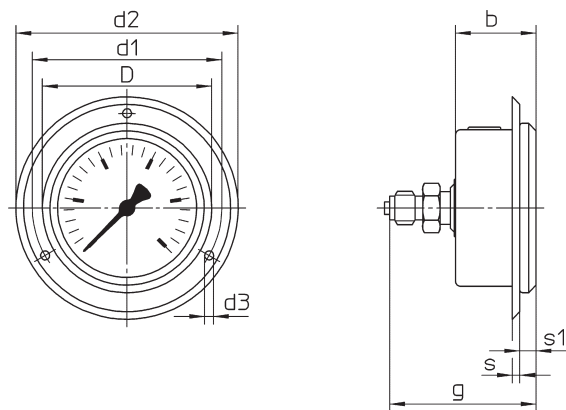
Bottom connection,
without code letter to add



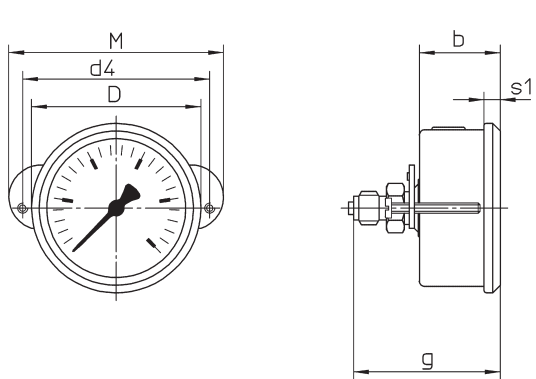
Center back connection,
code letters: **rm**



Center back connection,
front flange,
code letters: **rmFr**



Center back connection,
U-clamp for panel mounting,
code letters: **rmBFr**



Dimensional Data (mm / inches) and Weight (kg / lb)

Nom. Size	a	b	c	c1	c2	d1	d2	d3	d4	D	G	g	h ±1	M	s	s1	SW	Weight (approx.)
63 2½"	10 .39	32 1.26	5 .2	2 .08	13 .51	75 2.95	88 3.46	3.6 .14	74 2.91	67 2.64	G ¼ B ¼" BSP	58 2.28	54 2.13	85 3.35	3 .12	6.5 .26	17 .67	.25 .55

The information in this leaflet is given in good faith, but we reserve the right to make changes without notice.