

# Bourdon Tube Pressure Gauges

Snap-in Window

Accuracy Class 1.6

Nom. Size 63

Model

**RE 63-1**

## Applications

Our pressure gauges model RE 63-1 are reasonable Bourdon tube pressure gauges for various standard applications without special requirements to the case. The pressure medium (fluid or gaseous) may not corrode brass and bronze.

## Nominal Case Size

63 (2½")

## Accuracy Class (EN 837-1)

1.6 (i.e. accuracy error max. ± 1.6% of full scale value),  
2.5 for pressure range 0-600 bar

## Pressure Ranges (EN 837-1)

0-0.6 bar to 0-600 bar  
also vacuum and compound ranges

## Pressure Limitations

Steady pressure: max. 75% of full scale value  
Cyclic pressure: max. 65% of full scale value  
Overpressure: full scale value

## Temperature Limitations

Ambient temperature: -40 / +60 °C (-40 / +140 °F)  
Medium temperature: max. +60 °C (+140 °F)

**Further information** about advantages, applications, specifications, temperature limitations and pressure ranges of Bourdon tube pressure gauges, accuracy classes 1.0 and 1.6 according to EN, can be found in our model overview **1000**.



## How to Order:

Simply state the ordering number as follows. Pressure gauges with ordering number beginning with L- are usually available from stock (without obligation). Pressure gauges without L- at the beginning of the ordering number are only available in minimum ordering quantities of 5 pieces and up.

Pressure range bar	Bottom connection Ordering number:	Center back connection (rm) Ordering number:
-0,6 - 0	501001	501101
-1 - 0	L-501002	L-501102
-1 - 0,6	L-501003	501103
-1 / + 1,5	L-501004	501104
-1 / + 3	L-501005	501105
-1 / + 5	L-501006	501106
-1 / + 9	501007	501107
-1 / + 15	501008	501108
0 - 0,6	L-501009	L-501109
0 - 1	L-501010	L-501110
0 - 1,6	L-501011	L-501111
0 - 2,5	L-501012	L-501112
0 - 4	L-501013	L-501113
0 - 6	L-501014	L-501114
0 - 10	L-501015	L-501115
0 - 16	L-501016	L-501116
0 - 25	L-501017	L-501117
0 - 40	L-501018	L-501118
0 - 60	L-501019	L-501119
0 - 100	L-501020	L-501120
0 - 160	L-501021	L-501121
0 - 250	L-501022	L-501122
0 - 400	L-501023	L-501123
0 - 600	501024	501124

## Standard Configuration

### Connection

G ¼ B (¼" BSP) bottom or center back connection brass

### Bourdon Tube

Bronze, soft soldered,  
up to 40 bar in C-form, 60 bar and up helical

### Movement

Brass

### Dial

Aluminum alloy, black figures, white background

### Pointer

Aluminum alloy black

### Case

Carbon steel black

### Window

Snap-in polycarbonate lens

Pressure gauges with center back connection (L-5011..) can be ordered optionally with chrome plated front flange (Fr),

**Ordering Examples:** 20 x L-501120-Fr

To avoid mistakes it will be helpful to give a short description of the instrument (model, nom. size, case configuration, pressure range), especially for special versions resp. instruments not available from stock:

Model: **RE 63-1**

Case configuration: without code letter = bottom connection  
(see reverse side) **rm** = center back connection  
**rmFr** = center back connection, front mounting flange

Pressure range: according to EN 837-1, e.g. 0-10 bar

Options: e.g. front flange carbon steel black

**Example:** RE 63-1 rm, 0-10 bar, ¼" BSP, L-501115



**ARMATURENBAU GmbH**

Manometerstraße 5 • D-46487 Wesel - Ginderich  
Phone: (0 28 03) 9130-0 • Fax: (0 28 03) 10 35  
armaturenbau.com • mail@armaturenbau.com



Subsidiary Company and Sales East Germany and Eastern Europe

**MANOTHERM Beierfeld GmbH**

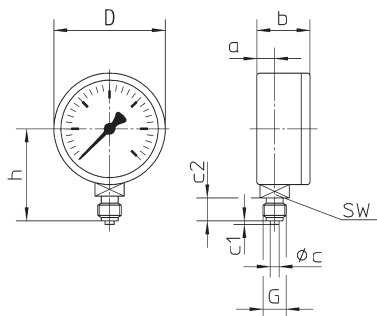
Am Gewerbepark 9 • D-08344 Grünhain-Beierfeld  
Phone: (0 37 74) 58-0 • Fax: (0 37 74) 58-545  
manotherm.com • mail@manotherm.com

**1110**

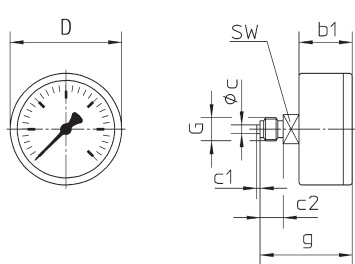
**4/06**

# Case Configurations, Code Letters, Dimensional Data and Weight

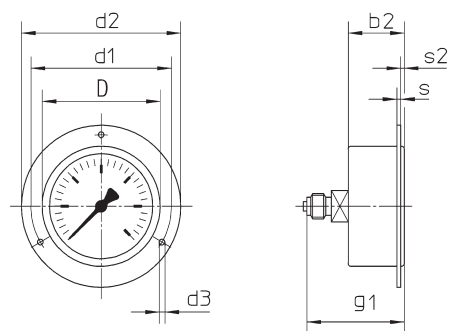
Bottom connection,  
without code letter to add



Center back connection,  
code letters: **rm**



Center back connection,  
front flange for surface mounting,  
code letters: **rmFr**



## Dimensions ( mm / inches ) and Weight ( kg / lb )

Nom. Case Size (NCS)	a ± .5	b ±0.5	b1 ± .5	b2 ± .5	c	c1	c2	D	d1	d2	d3	g ± .5	g1	G	h ± 1	s	s2	SW	Weight (approx.)
63 2½	10.5 .41	30 1.18	31 1.22	32 1.26	5 .2	2 .08	13 .51	62 2.44	75 2.95	85 3.35	3.6 .14	52 2.05	53 2.09	G ¼ B ¼" BSP	52.5 2.07	2 .08	1.5 .06	14 .55	.130 kg .30 lb

The information in this leaflet is given in good faith, but we reserve the right to make changes without notice.